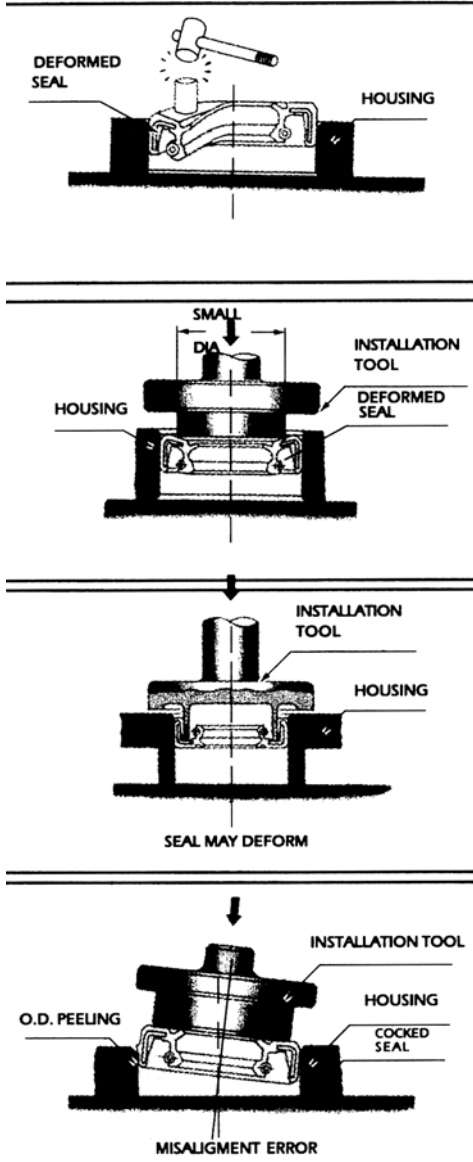
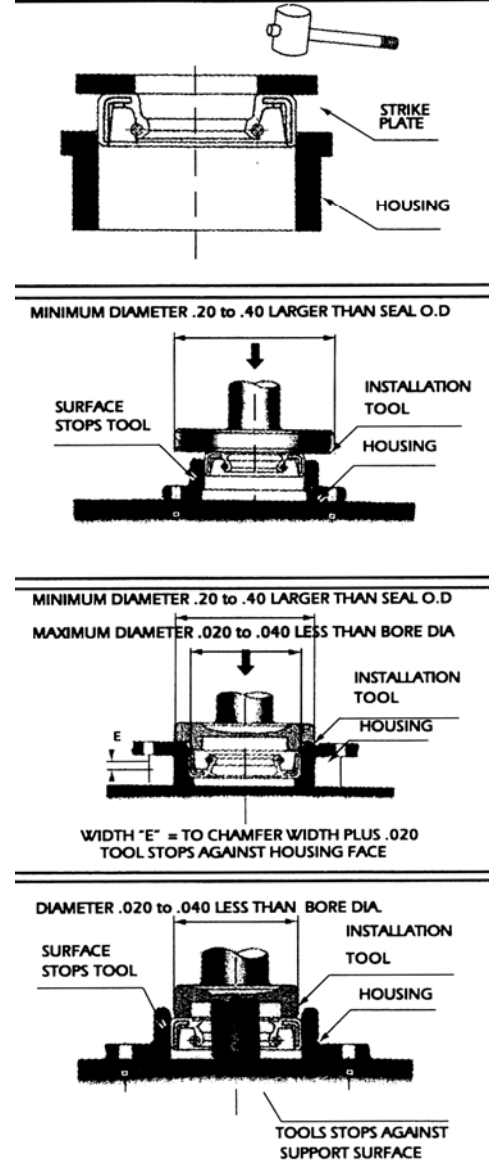


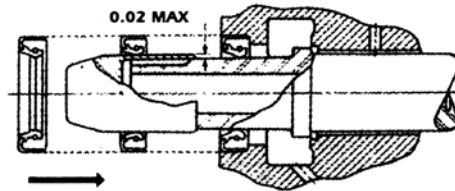
**HOUSING INSTALLATION**

**Figure 1 IMPROPER METHODS**

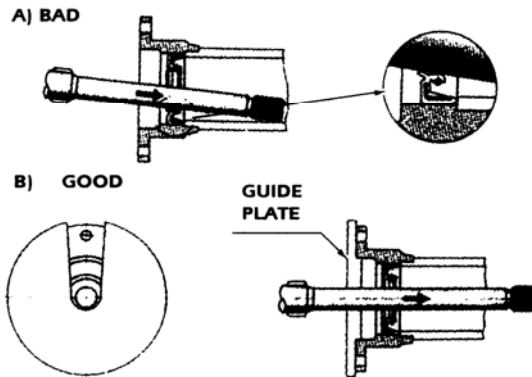


**ACCEPTABLE METHODS**

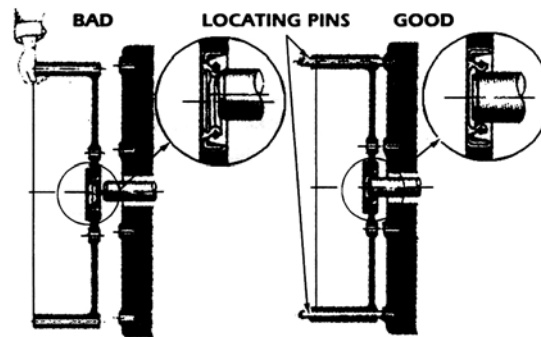




**SEAL INSTALLATION OVER SHAFT SPLINES**



**LONG SHAFT**



**HEAVY WEIGHT HOUSING**